

NATURAL ORGANIC PRODUCT



ROD SCREENS, POLES, NATUREED,
PALM FIBRE





NATURAL / ORGANIC

Celebrating the unique characteristics of nature, our range of organic products effortlessly elevates indoor and outdoor spaces. Including bamboo rods, screens, poles and palm fibre, as well as our very own, Natureed® Organic Water Reed, perfect for fencing, screening and shading solutions.

Offering the perfect fusion of simplicity and sophistication these lightweight and versatile solutions deliver a contemporary style that breathes fresh life into your surroundings.





ROD SCREENS



Black Raw



Natural Carbonised



Natural Raw



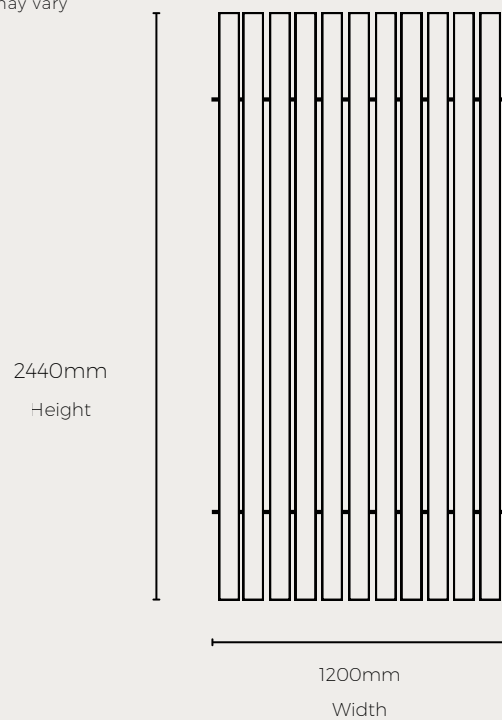
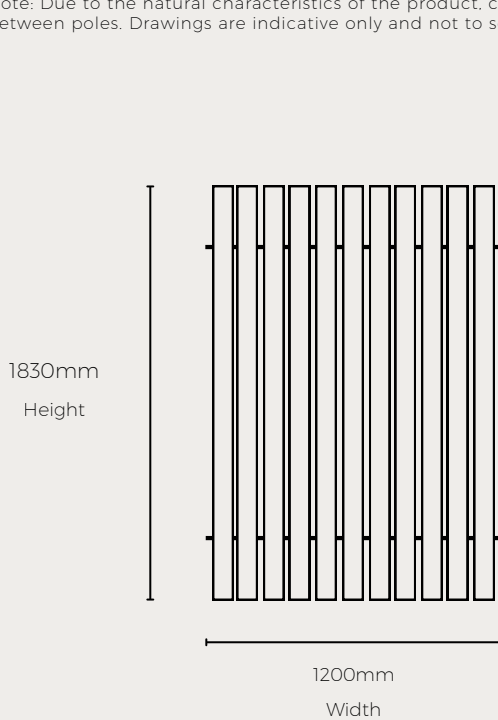
Tonkin Raw



Hungkai Raw

Colour	Width	Height	Diameter	SKU
Black Raw	1200mm	1830mm	22-28mm	ROD-SCRE-BLACK-W1200-H1830-R
	1200mm	2440mm	22-28mm	ROD-SCRE-BLACK-W1200-H2440-R
Natural Raw	1200mm	1830mm	22-28mm	ROD-SCRE-NATURAL-W1200-H1830-R
	1200mm	2440mm	22-28mm	ROD-SCRE-NATURAL-W1200-H2440-R
Tonkin Raw	2400mm	1800mm	12-16mm	ROD-SCRE-TONKIN-W2400-H1800-R
	2400mm	2100mm	12-16mm	ROD-SCRE-TONKIN-W2400-H2100-R
Hungkai	1200mm	1800mm	20-24mm	ROD-SCRE-HUNGKAI-W1200-H1800-R
	1800mm	2400mm	20-24mm	ROD-SCRE-HUNGKAI-W1800-H2400-R

Note: Due to the natural characteristics of the product, colour and tone may vary between poles. Drawings are indicative only and not to scale.



*All our materials can be customised to suit your project. We can provide specialised sizes to meet your needs.

BAMBOO POLES



Half Natural 80mm



Hungkai 30mm



Natural 30mm



Natural 50mm



Natural 60mm



Natural 80mm



Natural 120mm



Carbonised 30mm



Carbonised 50mm



Carbonised 60mm



Carbonised 80mm



Carbonised 120mm

Colour	Diameter	Height	SKU
Whole Carbonised Poles	30mm	3000mm	POLE-WHOL-CARBONISED-SIN-W30-H3000-R
	35mm		POLE-WHOL-CARBONISED-SIN-W35-H3000-R
	50mm		POLE-WHOL-CARBONISED-SIN-W50-H3000-R
	80mm		POLE-WHOL-CARBONISED-SIN-W80-H3000-R
	120mm		POLE-WHOL-CARBONISED-SIN-W120-H3000-R
Half Carbonised Poles	80mm	3000mm	POLE-HALF-CARBONISED-SIN-W80-H3000-R
Whole Natural Poles	30mm	3000mm	POLE-WHOL-NATURAL-SIN-W30-H3000-R
	35mm		POLE-WHOL-NATURAL-SIN-W35-H3000-R
	50mm		POLE-WHOL-NATURAL-SIN-W50-H3000-R
	80mm		POLE-WHOL-NATURAL-SIN-W80-H3000-R
	120mm		POLE-WHOL-NATURAL-SIN-W120-H3000-R
HUNGKAI	30mm	3000mm	POLE-WHOL-HUANGKAI-SIN-W30-H3000-R

Note: Due to the natural characteristics of the product, colour and tone may vary between poles. Drawings are indicative only and not to scale.

BAMBOO SLATS



Slat flat 40mm



Natural no skin 22mm



Masawari 50mm



Masawari 70mm

Colour	Width	Height	SKU
Natural Skin	40mm	3000mm	SLAT-NATU-FLAT-SIN-W40-H3000-R
Natural no skin	22mm	2100mm	SLAT-NATU-FLAT-SIN-W22-H2100-NO-R
Masawari	50mm	2700mm	SLAT-NATU-MASAWARI-SIN-15-W50-H2700-R
	70mm	2700mm	SLAT-NATU-MASAWARI-SIN-15-W70-H2700-R

Note: Due to the natural characteristics of the product, colour and tone may vary between poles. Drawings are indicative only and not to scale.

EXTERNAL APPLICATIONS

Moisture & Mould Considerations

Bamboo is a natural, organic material composed primarily of cellulose, hemicellulose and lignin. Like timber, it is hygroscopic, meaning it absorbs and releases moisture in response to environmental conditions.

When bamboo is exposed to rainfall, surface wetting or prolonged humidity, it will absorb moisture. If the material remains damp for extended periods and is unable to fully dry, surface mould may develop.

Mould growth requires:

- Organic substrate (such as timber or bamboo)
- Moisture
- Oxygen
- Temperatures typically between 5°C and 35°C

Mould spores are naturally present in the air and will colonise any organic surface that remains sufficiently moist. This is an environmental condition and not a product defect.

In fully exposed external applications such as open pergolas or structures without overhead cover bamboo may be repeatedly saturated by rainfall. Where the upper surface dries in sunlight but the underside remains damp due to limited airflow or restricted drying, the risk of surface mould increases.

This behaviour is consistent with all natural timber and bamboo products used in external environments.

To minimise risk:

- Avoid horizontal installations that are fully exposed to direct rainfall
- Ensure adequate drainage and ventilation
- Allow full drying between wet cycles
- Maintain appropriate external coatings where specified
- Implement routine inspection and cleaning

External bamboo installations require ongoing maintenance comparable to hardwood timber products.

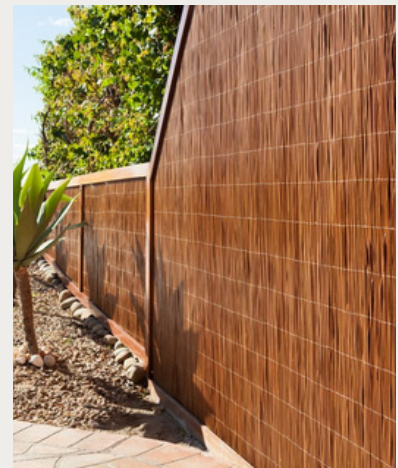
Surface mould does not indicate structural failure but should be addressed through appropriate cleaning and maintenance.



NATUREED®

Hand-crafted from superior quality, our very own Natureed® is perfect for fencing, screening and shading solutions. Hand woven with fine-quality stainless steel wires it ensures its durability and elegant look is maintained in harsh environments.

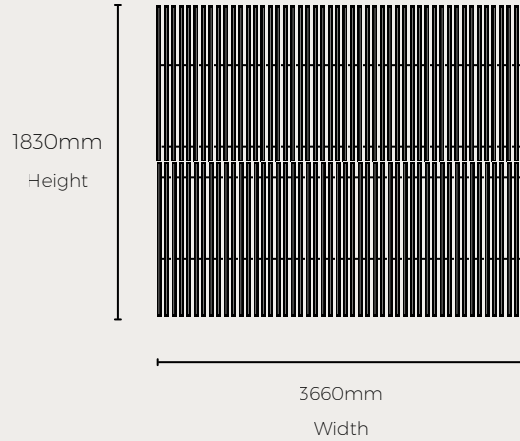
Exclusively available to the House of Bamboo, Natureed® features twice the number of reeds per metre than other alternatives delivering a versatility that means it is also ideal for lightweight shading on its own.



NATUREED®



Double Reed



Difference between Single Reed and Double Reed:

Single Reed means one single reed was used for the whole height of the screen.

Double Reed means two reeds had to be joined to make the full height of the screen.

Colour	Width	Height	Thickness	SKU
Natural Double Reed	3360mm	1830mm	3-5mm	REED-SCRE-NATUREED-D-W3360-H1830-R
	2440mm	2440mm	3-5mm	REED-SCRE-NATUREED-D-W2440-H2440-R
	3360mm	2000mm	3-5mm	REED-SCRE-NATUREED-D-W3360-H2000-R
Canopy	3360mm	1830mm	3-5mm	REED-SCRE-NATUREED-D-W3360-H1830-C-R

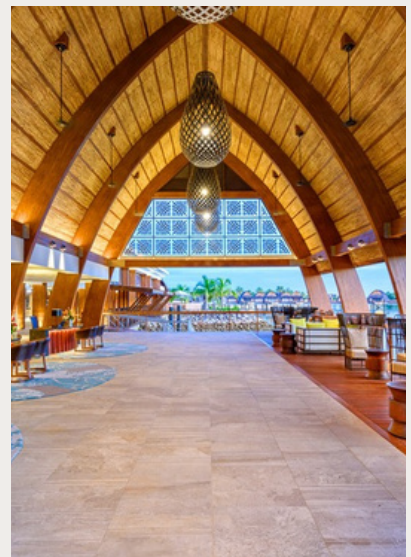
Note: Due to the natural characteristics of the product, colour and tone may vary between poles. Drawings are indicative only and not to scale.



PALM FIBRE

A contemporary alternative to traditional thatching, Palm Fibre provides a beautiful textural feature to interior areas. It is an effective acoustic material that can reduce reverberation, dampen noises and absorb muffling sounds.

As a natural product, each roll of Palm Fibre is unique in colour and texture. It is crafted from the highest quality palm leaves and rolled into thick shafts bound together with recycled nylon. Sustainably sourced from South East Asia our Palm Fibre has a Global GreenTag Platinum rating and Global GreenTag Level C rating.

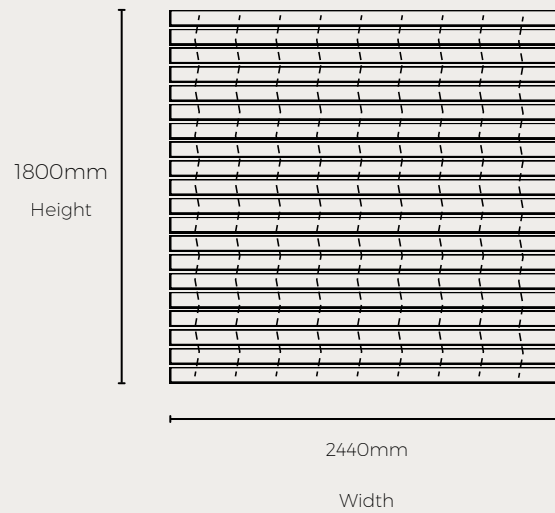


PALM FIBRE



Colour	Width	Height	Thickness	SKU
Raw	2400mm	1800mm	30mm	PALM-LEAF-BOUND-W2400-H1800-R

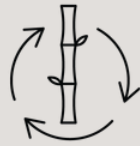
Note: Due to the natural characteristics of the product, colour and tone may vary between poles. Drawings are indicative only and not to scale.



BAMBOO BENEFITS



SOIL EROSION
PREVENTION &
RESTORATION



ZERO-WASTE
LIFE CYCLE



GREENHOUSE
GAS EMISSIONS



NATURAL
WATER
PURIFICATION



SHORT HARVEST
CYCLE



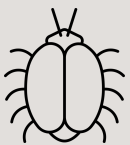
SELF-
REGENERATING
GROWTH



SUPERIOR WATER
RETENTION



SUPERIOR
CARBON
SEQUESTRATION



NATURALLY
RESISTANT
TO TERMITES



BIODIVERSITY
PRESERVATION



CLIMATE CHANGE
MITIGATION



ENHANCED
OXYGEN
PRODUCTION



A BAMBOO LEGACY

At House of Bamboo®, we are carrying on a legacy that was founded last century, when Mark Snyders first began to source environmentally conscious bamboo. Recognised globally as a leading bamboo specialist, we are committed to creating beautiful, environmentally friendly bamboo products and encouraging Australians to embrace the benefits of bamboo.



A SUSTAINABLE FUTURE

In addition to being House of Bamboo® CEO, Jennifer Snyders also pursues her passion for sustainability by advocating bamboo projects throughout Australia and supporting land regeneration and reforestation.

Having qualified at UNSW with a Bachelor of Science (Architecture), she understands the incredible potential of bamboo and her sense of design and technical understanding has allowed her to develop a range of engineered bamboo products that can out perform timber.

MEET THE SPECIALIST

We're not typical suppliers. We're material consultants who understand the complexities of your project. Our team of architects, engineers, and sustainability specialists brings real professional insight to every stage.

From specification through installation, we work with you to ensure our engineered bamboo meets your project's needs. Beautiful spaces, people actually stop and notice.



Jennifer Snyders

CEO & Bamboo Expert |
NSW

[Contact me](#)



Anna Borella

Interior Designer & Bamboo
Specialist | NSW

[Contact me](#)



Mayra Miranda

Architect, Interior Designer
& Bamboo Specialist | NSW

[Contact me](#)



Greg Severin

Bamboo Specialist | WA

[Contact me](#)



Rachel Potter

Interior Designr, Sales and
Design Consultant | QLD

[Contact me](#)



Vik Rodrigo

Bamboo Specialist | VIC

[Contact me](#)



Federico Riches

Architect, Sustainable
design



Isabella van der Griend

Materials Specialist,
Bamboo Advocate

HEAD OFFICE & SHOWROOM



13 Erith Street, Botany NSW 2019

DISPLAY CENTRE QLD

BUILD AND DESIGN CENTRE BRISBANE



66 Merivale Street, South Brisbane QLD 4101

CONTACT



For General Enquiries

info@houseofbamboo.com.au



Local or Interstate: 1800 240 996

International: (+61)2 9666 5703

ONLINE



www.houseofbamboo.com.au



[@house.of.bamboo.australia](https://www.instagram.com/house.of.bamboo.australia)

house of
bamboo

EST. 1972